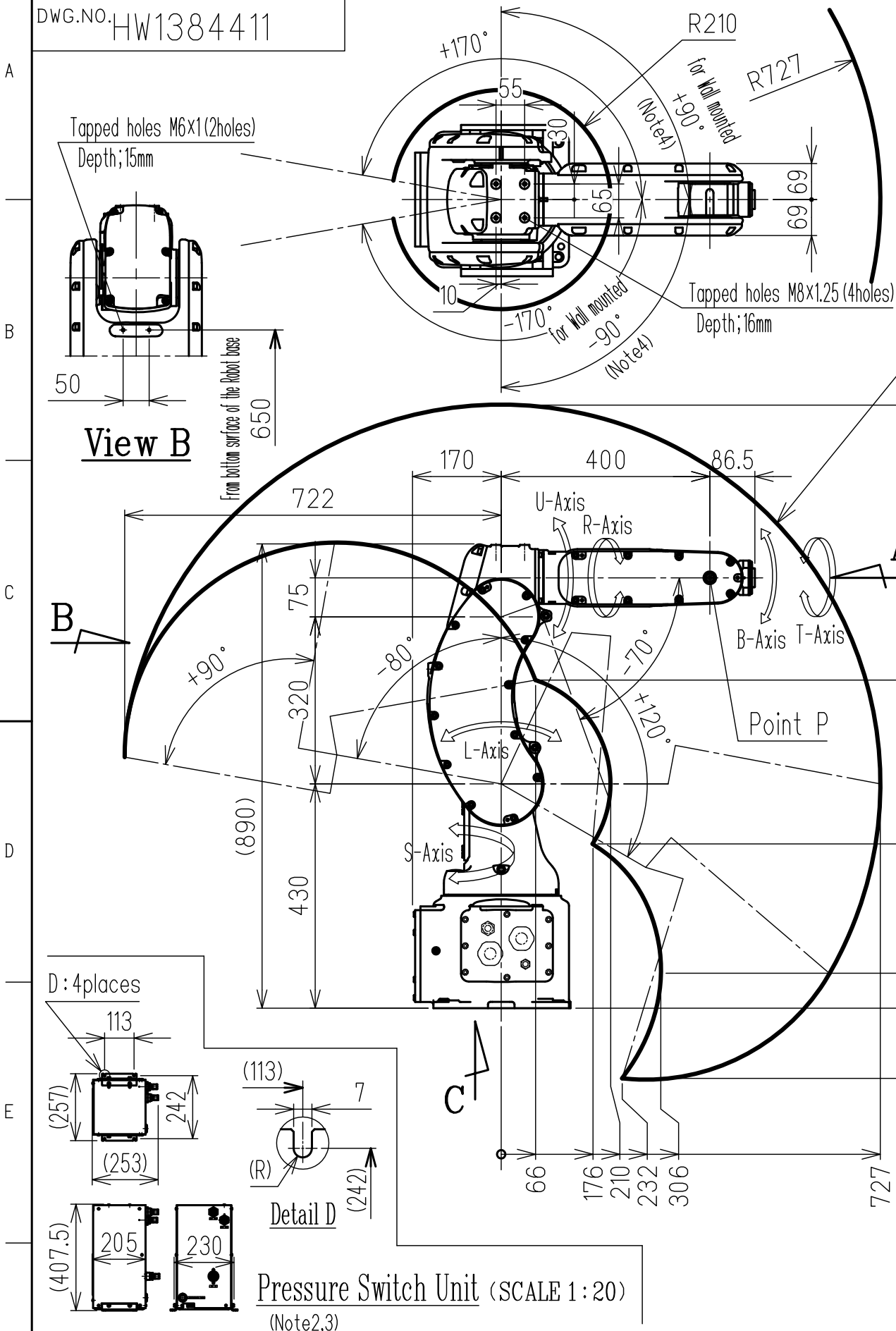
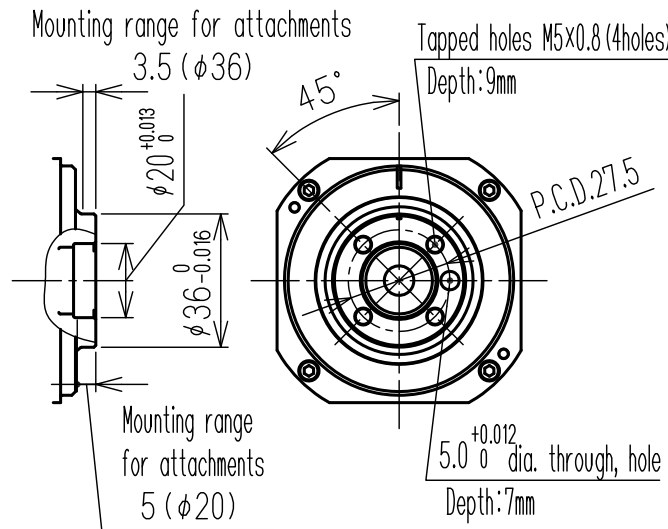


DWG.NO. HW1384411

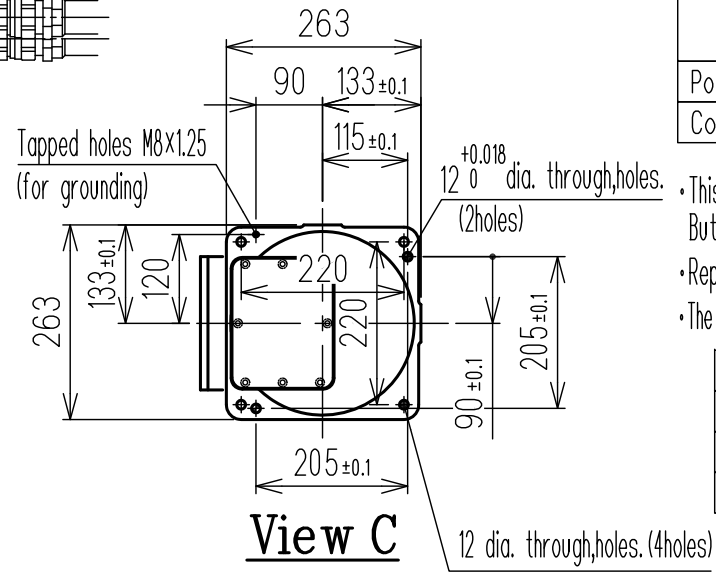


Note1 : Cable install Position is X or Y or Z.
 Note2 : You can put The Pressure switch unit (Delivered with the manipulator) anywhere except a manipulator moving area.
 (The allowable length of air tubes between manipulator and pressure switch unit is 20 meters at a maximum.)
 Note3 : Refer to Dimension Diagram of Pressure switch unit (Delivered with the manipulator), Dwg. No. 'HW1385183'.
 Note4 : S-Axis motion range of Wall-mounted type is -90° ~ +90°.

Point P
Working Envelope



View A
(SCALE 1:2)



View C

Item	Model	MOTOMAN-MPX1150
Structure	Articulated Robot	
Degree of Freedom	6	
Payload	Wrist	5kg
	on L-arm and U-arm	Total 1kg
Repeatability	±0.02mm	
Max. Motion Range	S-Axis (Turning) <Wall>*4	-170° ~ +170° -90° ~ +90°
	L-Axis (Lower Arm)	-80° ~ +120°
	U-Axis (Upper Arm, Lower Arm)	-70° ~ +90°
	R-Axis (Roll)	-190° ~ +190°
	B-Axis (Pitch/Yaw)	-135° ~ +135°
T-Axis (Twist)	-360° ~ +360°	
Max. Speed	1.5m/s	
Allowable Moment	R-Axis	12N·m (1.22kgf·m)
	B-Axis	12N·m (1.22kgf·m)
	T-Axis	7N·m (0.71kgf·m)
Allowable Inertia (GD ² /4)	R-Axis	0.3 kg·m ²
	B-Axis	0.3 kg·m ²
	T-Axis	0.1 kg·m ²
Approx. Robot mass	57kg	
Protected structure	Body: IP4X Wrist: IP65	
Mounting method	Floor-mounted	
	Wall-mounted	
	Ceiling-mounted	
Location	Ambient Temperature	0~40°C
	Relative Humidity	20~80%RH (Non-condensing)
	Vibration	Less than 4.9m/s ² (0.5G)
	Altitude	1000m or less
	Others	<ul style="list-style-type: none"> Free from corrosive gas and liquid. Free from dust or water. Free from electrical noise. Free from strong magnetic fields.
Power Requirements	1.0 kVA	
Controller	DX200	

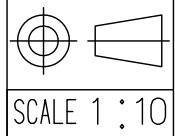
*This table is written in SI units.
 But numbers in () are written in Gravity units.
 *Repeatability is conformed to ISO 9283.
 *The robot position shown in this drawing is the home position.

type	Explosionproof authentication
YR-MPX1150-A00	TIIS
YR-MPX1150-B00	FM
YR-MPX1150-C00	ATEX

Units: mm

Note:
 1. All rights reserved.
 2. Please note that the data is subject to be deleted without advance notice.
 3. No warranty is given in relation to the data including the specification.
 4. We are not responsible for any damages or loss caused by the use of the data.

FOR STUDY PURPOSE ONLY



YASKAWA
 株式会社 安川電機

Reference Drawing

TITLE MOTOMAN-MPX1150
 DIMENSION DIAGRAM

DRWN DATE Nov.28.'16

DWG.NO. HW1384411



SIZE A3